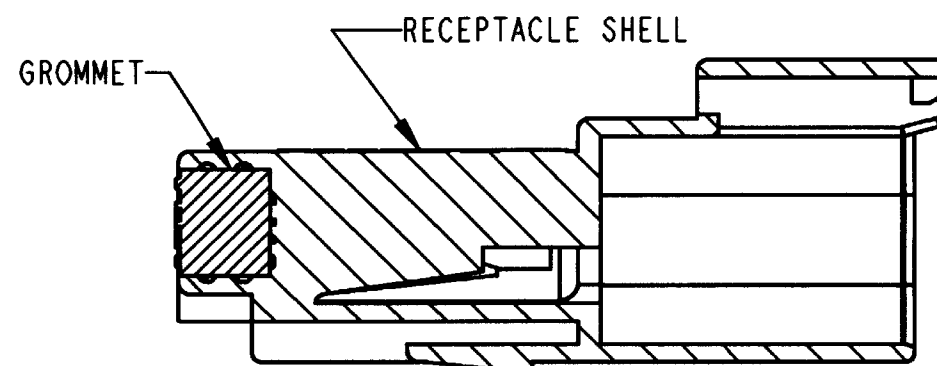
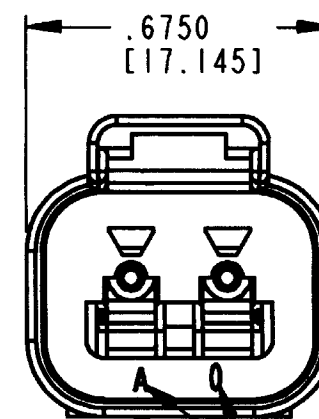
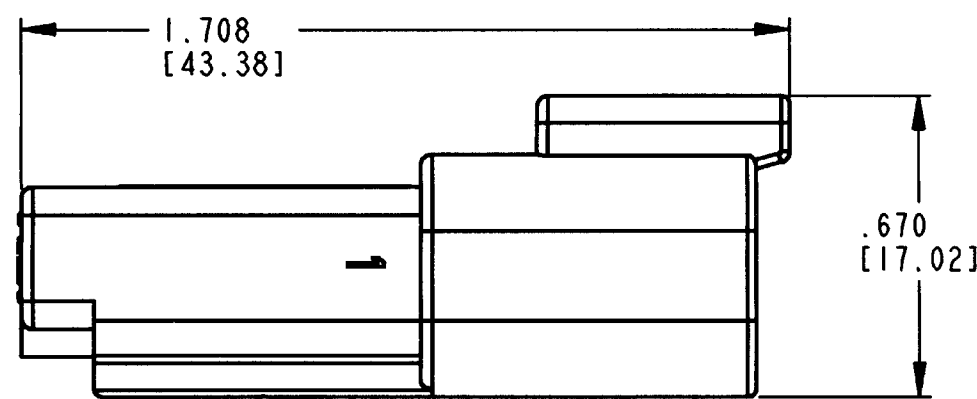
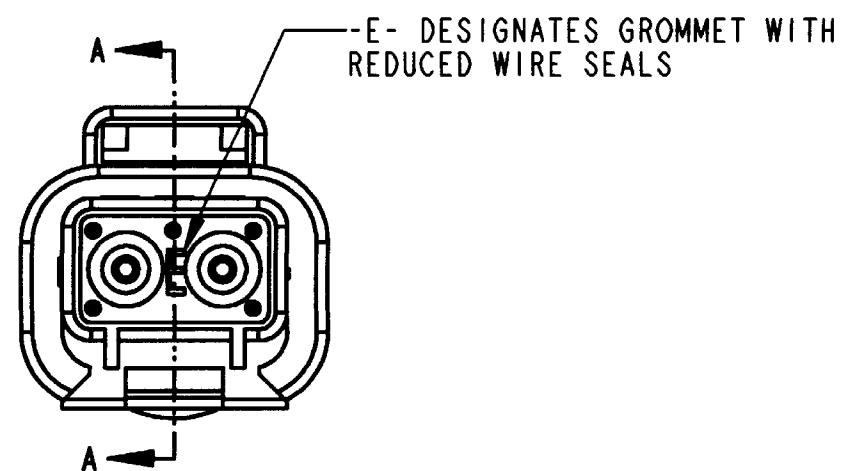


3D VIEW



SECTION A-A



DATE CODE

REV
NC DT04-2P-C015

REVISIONS			
SYM	DESCRIPTION	DATE	APPROVED
NC	NEW RELEASE PER E.O. A16795	8-17-00	RDR

CONTACT SIZE	MIN. INSUL O.D.	MAX. INSUL O.D.	WIRE RANGE [mm ²]
16	.053 [1.35]	.120 [3.05]	14-20 AWG [2.0-0.5]

- NOTES:
1. DIMENSIONS ARE IN INCHES [MILLIMETERS.
 2. DIMENSIONS ARE ± .025 [0.63] UNLESS OTHERWISE SPECIFIED.
 3. FOR CONTACTS AND WIRE PERFORMANCES AND APPLICATION CHARACTERISTICS. SEE ENVELOPE DRAWING 0425-015-0000 AND 0425-017-0000.
 4. THIS RECEPTACLE MATES WITH THE DT06-2S-**** PLUG (**** = ALL MODIFICATIONS). CONSULT FACTORY FOR MODIFICATIONS.

-DATE CODE-
MONTH IS REPRESENTED BY SEQUENTIAL ALPHA CHARACTERS.
EX. A = JANUARY
YEAR IS REPRESENTED BY LAST DIGIT.
EX. 0 = 2000

SIGNATURE & DATE	
DR	T. YOHANNES 08/07/00
CHK	P. Byford 8/17/00
PE	Tracy Green 8/17/00
APPD	A. Reed 8-17-00
SCALE	NONE WT

2 WAY RECEPTACLE
REDUCED WIRE SEALS
-C015 MOD.
DT SERIES

ENVELOPE

CP	MATL CODE
The Deutch Company DEUTSCH I.P.D. 3850 INDUSTRIAL AVE. HEMET, CALIF. 92545	
B	DT04-2P-C015
DWG SIZE	CODE SHEET OF